

1.1 Kabelverschraubungen Messing druckgekapselt EXPLO EEx d IIC

Material: Messing, vernickelt
 Schrauben: Rostfreier Stahl A2
 Dichtung: NBR
 Einsatztemp.: Von -20°/+80°C
 Schutzart: IP 68
 Prüfnorm: EN 50014 / EN 50018
 EG Baumusterprüfbescheinigung
 PTB 00 ATEX 1059

Cable glands for flame proved enclosure EEx d IIC

Material: Nickel-plated brass
 Screws: Made of stainless steel A2
 Seal: NBR
 Temp. range: -20°/+80°C
 Protection class: IP 68
 Test standard: EN 50014 / EN 50018
 EC-type examination certificate
 PTB 00 ATEX 1059

HUGRO No	AGRO No	M/Pg	Øk mm	mm	mm	H mm	L mm	
----------	---------	------	-------	----	----	------	------	--

Anschlussgewinde metrisch

Entry thread metric

118.1709	1817.09.26	M16x1,5	7,0- 9,0	20	27	57	12	25
118.2011	1820.11.26	M20x1,5	9,0-11,0	24	30	57	12	25
118.2013	1820.16.26	M20x1,5	11,0-13,0	26	32	57	14	25
118.2516	1825.21.26	M25x1,5	13,0-16,5	32	40	67	16	10
118.2520	1825.21.27	M25x1,5	16,5-20,0	36	44	67	16	10
118.3224	1832.29.26	M32x1,5	20,0-24,0	45	48	78	17	5
118.4028	1840.29.27	M40x1,5	24,0-28,0	45	52	78	17	5
118.5032	1850.36.26	M50x1,5	28,0-32,0	55	60	85	17	5
118.5036	1850.36.27	M50x1,5	32,0-36,0	55	64	85	17	5
118.6340	1863.48.26	M63x1,5	36,0-40,0	70	75	88	20	1
118.6344	1863.48.27	M63x1,5	40,0-44,0	70	80	88	20	1



Anschlussgewinde Pg

Entry thread Pg

118.0909	1809.26	Pg 9	7,0- 9,0	20	27	57	12	25
118.1111	1811.26	Pg 11	9,0-11,0	24	30	57	12	25
118.1313	1813.26	Pg 13	11,0-13,0	26	32	57	14	25
118.1613	1816.26	Pg 16	11,0-13,0	26	32	57	14	25
118.2116	1821.26	Pg 21	13,0-16,5	32	40	67	16	10
118.2120	1821.27	Pg 21	16,5-20,0	36	44	67	16	10
118.2924	1829.26	Pg 29	20,0-24,0	45	48	78	17	5
118.2928	1829.27	Pg 29	24,0-28,0	45	52	78	17	5
118.3632	1836.26	Pg 36	28,0-32,0	55	60	85	17	5
118.3636	1836.27	Pg 36	32,0-36,0	55	64	85	17	5
118.4840	1848.48.26	Pg 48	36,0-40,0	64	75	88	20	1
118.4844	1848.48.27	Pg 48	40,0-44,0	64	80	88	20	1

Kabelverschraubungen Messing druckgekapselt EEx d IIC für höhere Temperaturen, auf Anfrage lieferbar

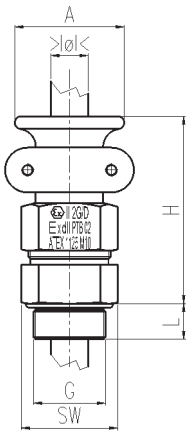
Material: Messing, vernickelt
 Schrauben: Rostfreier Stahl A2
 Dichtung: FPM
 Einsatztemp.: Von -20°/+160°C
 Schutzart: IP 68
 Prüfnorm: EN 50014 / EN 50018
 EG Baumusterprüfbescheinigung
 PTB 00 ATEX 1059

Cable glands for flame proved enclosure EEx d IIC made of nickel-plated brass for higher temperature resistance are available upon request

Material: Nickel-plated brass
 Screws: Made of stainless steel A2
 Seal: FPM
 Temp. range: -20°/+160°C
 Protection class: IP 68
 Test standard: EN 50014 / EN 50018
 EC-type test certificate
 PTB 00 ATEX 1059

Technische Änderungen vorbehalten!

Technical modifications are subject to change!



1.2

Kabelverschraubungen Messing druckgekapselt EXPLO EXx d IIC

Material: Messing, vernickelt
Schrauben: Rostfreier Stahl A2
Dichtung: NBR
Einsatztemp.: Von -20°/+80°C
Schutzart: IP 68
Prüfnorm: EN 50014 / EN 50018
EG Baumusterprüfbescheinigung
PTB 00 ATEX 1059

Cable glands for flame proved enclosure EXPLO EXx d IIC

Material: Nickel-plated brass
Screws: Made of stainless steel A2
Seal: NBR
Temp. range: -20°/+80°C
Protection class: IP 68
Test standard: EN 50014 / EN 50018
EC-type examination certificate
PTB 00 ATEX 1059

HUGRO No	AGRO No	M/Pg	mm	mm	mm	H mm	L mm	
-------------	------------	------	----	----	----	---------	---------	--

Anschlussgewinde Gasrohr

Entry thread gas-pipe

118.3809	18 3/8 G.09.26	G 3/8"	7,0- 9,0	20	27	57	12,0	25
118.1211	18 1/2 G.11.26	G 1/2"	9,0-11,0	24	30	57	12,0	25
118.1213	18 1/2 G.16.26	G 1/2"	11,0-13,0	26	32	57	14,0	25
118.3416	18 3/4 G.21.26	G 3/4"	13,0-16,5	32	40	67	16,0	10
118.3420	18 3/4 G.21.27	G 3/4"	16,5-20,0	36	44	67	16,0	10
118.8524	18 1 G.29.26	G 1"	20,0-24,0	45	48	78	17,0	5
118.8728	18 1 1/4 G.29.27	G 1 1/4"	24,0-28,0	45	52	78	17,0	5
118.8932	18 1 1/2 G.36.26	G 1 1/2"	28,0-32,0	55	60	85	17,0	5
118.9140	1848.26	G 2"	36,0-40,0	64	75	88	20,0	1
118.9144	1848.27	G 2"	40,0-44,0	64	80	88	20,0	1



ATEX 95



Anschlussgewinde NPT

Entry thread NPT

118.3909	18 3/8 NPT.09.26	NPT 3/8"	7,0- 9,0	20	27	57	15,5	25
118.1911	18 1/2 NPT.11.26	NPT 1/2"	9,0-11,0	24	30	57	20,0	25
118.3511	18 3/4 NPT.11.26	NPT 3/4"	9,0-11,0	27	30	57	20,0	25
118.1913	18 1/2 NPT.16.26	NPT 1/2"	11,0-13,0	26	32	57	20,0	25
118.3513	18 3/4 NPT.16.26	NPT 3/4"	11,0-13,0	26	32	57	20,0	25
118.3516	18 3/4 NPT.21.26	NPT 3/4"	13,0-16,5	32	40	67	20,0	10
118.7516	18 1 NPT.21.26	NPT 1"	13,0-16,5	32	40	67	25,0	10
118.7520	18 1 NPT.21.27	NPT 1"	16,5-20,0	36	44	67	25,0	10
118.7624	18 1/4 NPT.29.26	NPT 1 1/4"	20,0-24,0	45	48	78	26,0	5
118.7628	18 1/4 NPT.29.27	NPT 1 1/4"	24,0-28,0	45	52	78	26,0	5
118.7732	18 1/2 NPT.36.26	NPT 1 1/2"	28,0-32,0	55	60	85	26,0	5
118.7736	18 1/2 NPT.36.27	NPT 1 1/2"	32,0-36,0	55	64	85	26,0	5

Kabelverschraubungen Messing druckgekapselt EXx d IIC für höhere Temperaturen, auf Anfrage lieferbar

Material: Messing, vernickelt
Schrauben: Rostfreier Stahl A2
Dichtung: FPM
Einsatztemp.: Von -20°/+160°C
Schutzart: IP 68
Prüfnorm: EN 50014 / EN 50018
EG Baumusterprüfbescheinigung
PTB 00 ATEX 1059

Cable glands for flame proved enclosure EXx d IIC made of nickel-plated brass for higher temperature resistance are available upon request

Material: Nickel-plated brass
Screws: Made of stainless steel A2
Seal: FPM
Temp. range: -20°/+160°C
Protection class: IP 68
Test standard: EN 50014 / EN 50018
EC-type test certificate
PTB 00 ATEX 1059

Technische Änderungen vorbehalten!

Technical modifications are subject to change!



HUGRO-Armaturen GmbH • Rudolf-Blessing-Str. 5 • D-79183 Waldkirch
Tel. ++49 (0) 76 81/40 73-0 • Fax ++49 (0) 76 81/40 73-40 • info@hugro-gmbh.de • www.hugro-gmbh.de

1.3 Verschlusszapfen Messing EEx d IIC

Material: Messing vernickelt
mit O-Ring NBR
Einsatztemp.: -20°/+80°C
Prüfnorm: EN 50014 / EN 50018
EG Baumusterprüfbescheinigung
PTB 00 ATEX 1059

Locking plugs nickel-plated brass EEx d IIC

Material: Nickel-plated brass
with O-ring made of NBR
Temp. range: -20°/+80°C
Test standard: EN 50014 / EN50018
EC-type examination certificate
PTB 00 ATEX 1059



HUGRO No	AGRO No	M/Pg	mm	H mm	L mm	
----------	---------	------	----	------	------	--

Gewinde metrisch

Entry thread metric

548.15.EX	8710.12	M12x1,5	15	5,0	15,0	10
548.17.EX	8710.17	M16x1,5	18	6,0	15,0	10
548.20.EX	8710.20	M20x1,5	20	8,0	15,0	10
548.25.EX	8710.25	M25x1,5	30	10,0	15,0	10
548.32.EX	8710.32	M32x1,5	36	12,0	15,0	10
548.40.EX	8710.40	M40x1,5	46	12,0	15,0	10
548.50.EX	8710.50	M50x1,5	55	12,0	15,0	10
548.63.EX	8710.63	M63x1,5	70	12,0	15,0	10

Gewinde Pg

Entry thread Pg

548.07.EX	8710.07	Pg 7	16	6,4	10,5	10
548.09.EX	8710.09	Pg 9	18	7,5	12,0	10
548.11.EX	8710.11	Pg 11	21	8,8	12,0	10
548.13.EX	8710.13	Pg 13	24	10,0	14,0	10
548.16.EX	8710.16	Pg 16	27	11,5	14,0	10
548.21.EX	8710.21	Pg 21	32	14,0	16,0	10
548.29.EX	8710.29	Pg 29	41	17,0	17,0	10
548.36.EX	8710.36	Pg 36	55	22,5	17,0	10

Verschlusszapfen Messing EEx d IIC für höhere Temperaturen, auf Anfrage lieferbar

Material: Messing vernickelt
mit O-Ring FPM
Einsatztemp.: -20°/+160°C
Prüfnorm: EN 50014 / EN 50018
EG Baumusterprüfbescheinigung
PTB 00 ATEX 1059

Locking plugs nickel-plated brass EEx d IIC for higher temperature resistance are available upon request

Material: Nickel-plated brass
with O-ring made of FPM
Temp. range.: -20°/+160°C
Test standard: EN 50014 / EN 50018
EC-type test certificate
PTB 00 ATEX 1059

Technische Änderungen vorbehalten!

Technical modifications are subject to change!

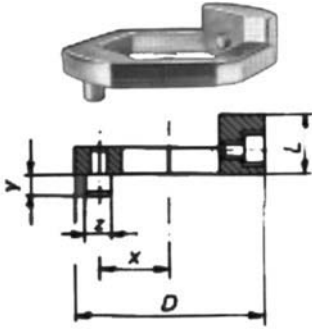
1.4

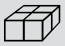
Sicherungsringe zu Kabelverschraubungen EEx d IIC

Material: Messing vernickelt
Schrauben: Rostfreier Stahl A2

Locking rings suitable to cable glands EEx d IIC

Material: Nickel-plated brass
Screws: made of stainless steel A2



HUGRO No	AGRO No	 mm	D mm	L mm	X	Bolzen Y	Z	
----------	---------	--	------	------	---	----------	---	---

Sicherungsring nach Schlüsselweite der EEx d IIC Kabelverschraubung bestimmen

Locking rings have to be determined acc. to the wrench size of the EEx d IIC cable gland

618.0920	1809.26.50	20	40	13	15	5	5	50
618.1124	1811.26.50	24	47	13	18	5	5	50
618.1626	1816.26.50	26	50	13	20	5	5	50
618.2132	1821.26.50	32	56	13	23	5	5	50
618.2136	1821.27.50	36	60	13	25	5	5	50
618.2945	1829.26.50	45	69	14	30	5	5	50

**Verwendung der Sicherungsringe:
Zusätzlicher Schutz gegen
Selbstlockerung bei Vibrationen!**

**Application of the locking rings:
Additional safety against
self-opening due to vibrations!**

Technische Änderungen vorbehalten!

Technical modifications are subject to change!